

Serie

PR45-140

Series

Serie di ventilatori a pale curve rovesce.

Versioni:

Standard: coclea costruita PP - girante costruita PP/INOX/Fe ebanitata - supporto motore in lamiera di acciaio verniciato polveri - viteria acciaio INOX

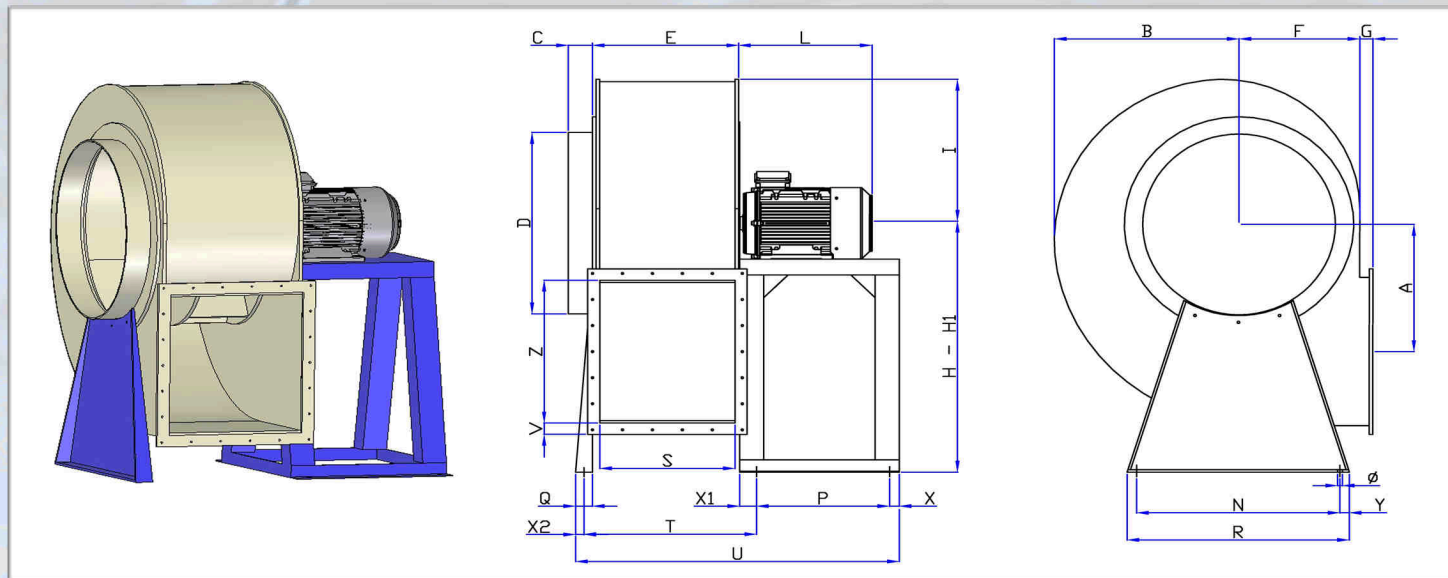
ATEX: coclea costruita PP-el conduttivo - girante costruita PP-el/INOX/Fe ebanitata - supporto motore in lamiera di acciaio verniciato polveri - viteria acciaio INOX

Fans series with backward curved blades.

Versions:

Standard: PP welded housing - PP/INOX/Fe+ebonite impeller - epoxy painted motor support - stainless steel screws

ATEX: PP-el antistatic welded housing - PP-el/INOX/Fe+ebonite welded impeller - epoxy painted motor support - stainless steel screws

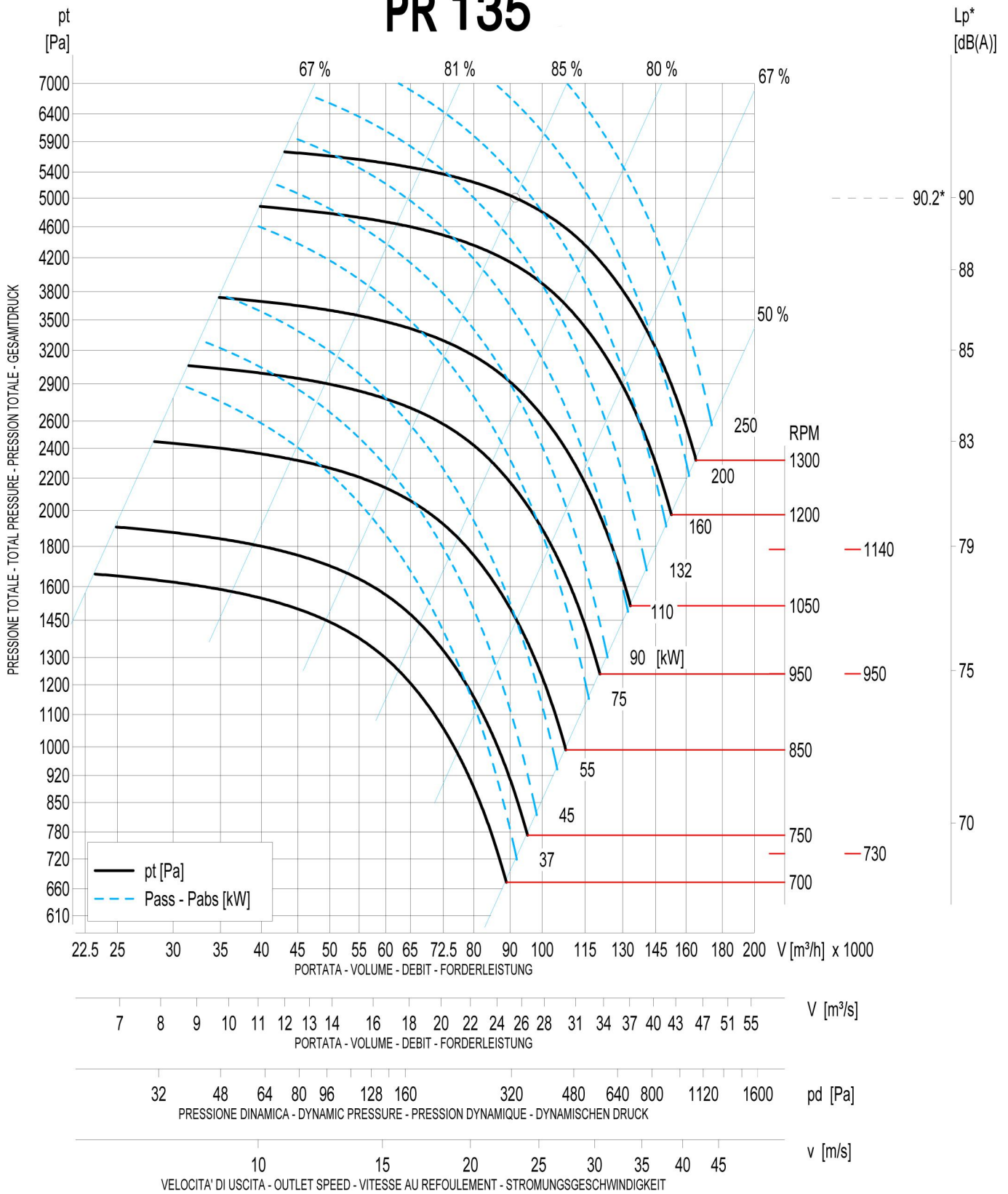


| Tipo Type | Mot.Gr Size | Mot. Kw | Giri Rpm | A | B | C | D | E | F | G | H | H1 | I | L | N | P | Q | R | S | T | U | V | X | X1 | X2 | Y | Z | Ø | KG.* |
|-----------|-------------|---------|----------|------|------|-----|------|------|-----|-----|------|------|------|------|------|-----|----|------|------|------|------|----|----|----|----|----|------|----|------|
| PR452 | 132 | 7.5 | 2850 | 324 | 410 | 60 | 355 | 295 | 310 | 50 | 550 | - | 360 | 420 | 370 | 340 | - | 420 | 265 | - | 400 | 40 | 25 | - | - | 20 | 355 | 16 | 90 |
| PR506 | 80 | 0.55 | 900 | 360 | 480 | 80 | 400 | 380 | 330 | 50 | 630 | - | 400 | 270 | 289 | 480 | 40 | 325 | 350 | 350 | 880 | 50 | 25 | 30 | 25 | 18 | 400 | 16 | 145 |
| PR504 | 100 | 2.2 | 1450 | 360 | 480 | 80 | 400 | 380 | 330 | 50 | 630 | - | 400 | 330 | 289 | 480 | 40 | 325 | 350 | 350 | 880 | 50 | 25 | 30 | 25 | 18 | 400 | 16 | 153 |
| PR502 | 160 | 15 | 2850 | 360 | 480 | 80 | 400 | 380 | 330 | 50 | 630 | - | 400 | 504 | 385 | 480 | 40 | 421 | 350 | 350 | 880 | 50 | 25 | 30 | 25 | 18 | 400 | 16 | 260 |
| PR502 | 160 | 18.5 | 2850 | 360 | 480 | 80 | 400 | 380 | 330 | 50 | 630 | - | 400 | 550 | 385 | 480 | 40 | 421 | 350 | 350 | 880 | 50 | 25 | 30 | 25 | 18 | 400 | 16 | 290 |
| PR566 | 90 | 1.1 | 900 | 410 | 550 | 80 | 450 | 430 | 385 | 65 | 710 | - | 450 | 290 | 289 | 480 | 40 | 325 | 400 | 410 | 940 | 50 | 25 | 40 | 25 | 18 | 450 | 16 | 160 |
| PR564 | 112 | 4 | 1450 | 410 | 550 | 80 | 450 | 430 | 385 | 65 | 710 | - | 450 | 330 | 289 | 480 | 40 | 325 | 400 | 410 | 940 | 50 | 25 | 40 | 25 | 18 | 450 | 16 | 170 |
| PR564 | 132 | 5.5 | 1450 | 410 | 550 | 80 | 450 | 430 | 385 | 65 | 710 | - | 450 | 340 | 445 | 480 | 40 | 481 | 400 | 410 | 940 | 50 | 25 | 40 | 25 | 18 | 450 | 16 | 300 |
| PR562 | 160 | 18.5 | 2850 | 410 | 550 | 80 | 450 | 430 | 385 | 65 | 710 | - | 450 | 504 | 445 | 480 | 40 | 481 | 400 | 410 | 940 | 50 | 25 | 40 | 25 | 18 | 450 | 16 | 330 |
| PR562 | 180 | 22 | 2850 | 410 | 550 | 80 | 450 | 430 | 385 | 65 | 710 | - | 450 | 550 | 445 | 480 | 40 | 481 | 400 | 410 | 940 | 50 | 25 | 40 | 25 | 18 | 450 | 16 | 340 |
| PR636 | 112 | 2.2 | 900 | 445 | 610 | 80 | 500 | 490 | 416 | 65 | 800 | - | 500 | 330 | 337 | 480 | 40 | 373 | 450 | 410 | 940 | 50 | 25 | 40 | 25 | 18 | 500 | 16 | 186 |
| PR634 | 132 | 5.5 | 1450 | 445 | 610 | 80 | 500 | 490 | 416 | 65 | 800 | - | 500 | 420 | 337 | 480 | 40 | 373 | 450 | 410 | 940 | 50 | 25 | 40 | 25 | 18 | 500 | 16 | 197 |
| PR632 | 180 | 22 | 2850 | 445 | 610 | 80 | 500 | 490 | 416 | 65 | 800 | - | 500 | 580 | 545 | 480 | 40 | 581 | 450 | 410 | 940 | 50 | 25 | 40 | 25 | 18 | 500 | 16 | 326 |
| PR632 | 200 | 30 | 2850 | 445 | 610 | 80 | 500 | 490 | 416 | 65 | 800 | - | 500 | 670 | 545 | 480 | 40 | 581 | 450 | 410 | 940 | 50 | 25 | 40 | 25 | 18 | 500 | 16 | 395 |
| PR716 | 132 | 4 | 900 | 500 | 690 | 100 | 700 | 545 | 440 | 75 | 850 | 700 | 570 | 420 | 772 | 551 | 60 | 850 | 500 | 560 | 1299 | 60 | 40 | 60 | 30 | 40 | 560 | 20 | 460 |
| PR714 | 160 | 15 | 1450 | 500 | 690 | 100 | 700 | 545 | 440 | 75 | 850 | 700 | 570 | 504 | 772 | 551 | 60 | 850 | 500 | 560 | 1299 | 60 | 40 | 60 | 30 | 40 | 560 | 20 | 511 |
| PR806 | 160 | 7.5 | 950 | 560 | 790 | 100 | 800 | 605 | 500 | 75 | 950 | 780 | 650 | 504 | 862 | 551 | 60 | 940 | 560 | 690 | 1319 | 60 | 40 | 60 | 30 | 40 | 630 | 20 | 520 |
| PR804 | 180 | 22 | 1450 | 560 | 790 | 100 | 800 | 605 | 500 | 75 | 950 | 780 | 650 | 580 | 862 | 551 | 60 | 940 | 560 | 690 | 1319 | 60 | 40 | 60 | 30 | 40 | 630 | 20 | 583 |
| PR906 | 180 | 15 | 950 | 630 | 870 | 100 | 900 | 680 | 590 | 75 | 1060 | 870 | 720 | 580 | 962 | 551 | 60 | 1040 | 630 | 760 | 1389 | 60 | 40 | 60 | 30 | 40 | 710 | 20 | 605 |
| PR904 | 225 | 45 | 1450 | 630 | 870 | 100 | 900 | 680 | 590 | 75 | 1060 | 870 | 720 | 700 | 962 | 551 | 60 | 1040 | 630 | 760 | 1389 | 60 | 40 | 60 | 30 | 40 | 710 | 20 | 745 |
| PR1006 | 200 | 22 | 950 | 710 | 985 | 120 | 1000 | 770 | 660 | 75 | 1180 | 980 | 840 | 670 | 1056 | 607 | 60 | 1134 | 710 | 840 | 1525 | 70 | 40 | 60 | 30 | 40 | 800 | 20 | 660 |
| PR1004 | 280 | 75 | 1450 | 710 | 985 | 120 | 1000 | 770 | 660 | 75 | 1180 | 980 | 840 | 780 | 1056 | 607 | 60 | 1134 | 710 | 840 | 1525 | 70 | 40 | 60 | 30 | 40 | 800 | 20 | 920 |
| PR1108 | 225 | 18 | 750 | 820 | 1080 | 150 | 1100 | 870 | 750 | 100 | 1320 | 1100 | 930 | 700 | 1180 | 760 | 60 | 1258 | 800 | 960 | 1798 | 70 | 40 | 60 | 30 | 40 | 900 | 24 | 890 |
| PR1106 | 250 | 37 | 950 | 820 | 1080 | 150 | 1100 | 870 | 750 | 100 | 1320 | 1100 | 930 | 770 | 1180 | 760 | 60 | 1258 | 800 | 960 | 1798 | 70 | 40 | 60 | 30 | 40 | 900 | 24 | 980 |
| PR1104 | 315 | 110 | 1450 | 820 | 1080 | 150 | 1100 | 870 | 750 | 100 | 1320 | 1100 | 930 | 1160 | 1180 | 760 | 60 | 1258 | 800 | 960 | 1798 | 70 | 40 | 60 | 30 | 40 | 900 | 24 | 1230 |
| PR1258 | 250 | 30 | 750 | 920 | 1210 | 150 | 1250 | 970 | 840 | 100 | 1500 | 1200 | 1020 | 770 | 1350 | 760 | 60 | 1428 | 900 | 1050 | 1888 | 80 | 40 | 60 | 30 | 40 | 1000 | 24 | 1540 |
| PR1256 | 280 | 55 | 950 | 920 | 1210 | 150 | 1250 | 970 | 840 | 100 | 1500 | 1200 | 1020 | 800 | 1350 | 760 | 60 | 1428 | 900 | 1050 | 1888 | 80 | 40 | 60 | 30 | 40 | 1000 | 24 | 1700 |
| PR1358 | 280 | 45 | 750 | 1020 | 1350 | 150 | 1350 | 1080 | 875 | 125 | 1700 | 1350 | 1120 | 800 | 1450 | 760 | 60 | 1528 | 1000 | 1140 | 1978 | 80 | 40 | 60 | 30 | 40 | 1100 | 24 | 1510 |
| PR1356 | 315 | 90 | 950 | 1020 | 1350 | 150 | 1350 | 1080 | 875 | 125 | 1700 | 1350 | 1120 | 1160 | 1450 | 760 | 60 | 1528 | 1000 | 1140 | 1978 | 80 | 40 | 60 | 30 | 40 | 1100 | 24 | 2005 |
| PR1408 | 315 | 55 | 750 | 1020 | 1350 | 150 | 1400 | 1080 | 875 | 125 | 1700 | 1350 | 1120 | 1160 | 1450 | 760 | 60 | 1528 | 1000 | 1140 | 1978 | 80 | 40 | 60 | 30 | 40 | 1100 | 24 | 1640 |
| PR1406 | 315 | 110 | 950 | 1020 | 1350 | 150 | 1400 | 1080 | 875 | 125 | 1700 | 1350 | 1120 | 1180 | 1450 | 760 | 60 | 1528 | 1000 | 1140 | 1978 | 80 | 40 | 60 | 30 | 40 | 1100 | 24 | 2150 |

* motore escluso - without motor

PESI ORIENTATIVI - APPROXIMATE WEIGHTS

PR 135



| Livello potenza sonora totale - Total sound power level - Gesamt schalleistungspegel - Niveau totale de puissance sonore - [dB] * | | | | | | | | | |
|---|---|-------|-------|-------|------|------|------|------|--------------|
| RPM | Banda d'ottava - Octave band - Oktav-Band - Bande d'octave [Hz] | | | | | | | | Lp* dB(A) |
| | 63 | 125 | 250 | 500 | 1000 | 2000 | 4000 | 8000 | |
| 750 | 92.8 | 95.8 | 91.8 | 89.8 | 88.8 | 83.8 | 75.8 | 75.8 | 78 |
| 950 | 98 | 98 | 100 | 95 | 94 | 89 | 81 | 81 | 83.2 |
| 1140 | 102.1 | 102.1 | 104.1 | 99.1 | 98.1 | 93.1 | 85.1 | 85.1 | 88 |
| 1200 | 103.2 | 103.2 | 105.2 | 100.2 | 99.2 | 94.2 | 86.2 | 86.2 | 89 |
| 1300 | 105 | 105 | 107 | 102 | 101 | 96 | 88 | 88 | 90.2 |

(*) Al massimo rendimento - At max. efficiency - (Distanza-distance-abstand-distance : 1.5 [m])

Temperatura - Temperature - Temperatur - Température : 15 [°] - Densità - Density - Bezugsdichte - Densité : 1.225 [kg/m³]

Tolleranza sulla portata ±5% - Capacity tolerance ±5% - Tolérance sur le débit ±5% - Fördertoleranz ±5%

I valori relativi alla rumorosità sono riferiti ad una misurazione in campo libero, con una tolleranza di +3 dB(A)

Noise values refer to a free field measurement with a tolerance of +3 dB(A)

Les valeurs relatives à la bruyance se réfèrent à un mesurage en champ libre, avec une tolérance de +3 dB(A)

Die die Geräuschentwicklung betreffenden Werte beziehen sich auf eine Freifeld-Messung bei einer Toleranz von +3 dB(A)

PD² - WD² - GD² - PD² : 166 kgm²